









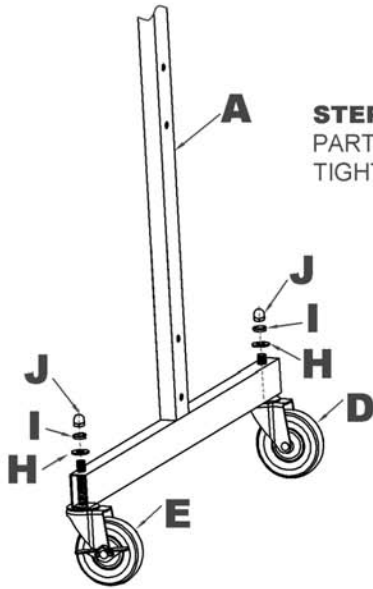
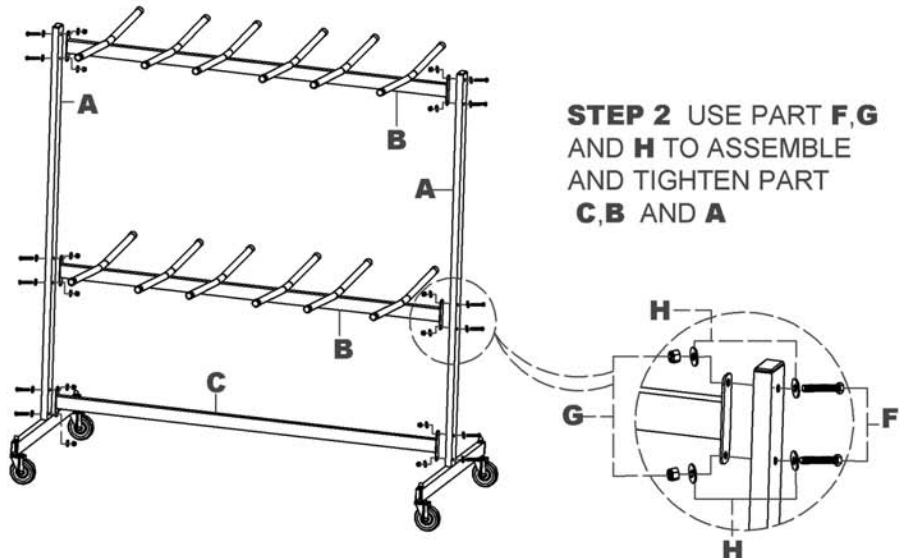


RES8069 - INSTRUCTIONS

PART	DESCRIPTION	DRAWING	Q'TY	PART	DESCRIPTION	DRAWING	Q'TY
A	UPRIGHTS		2	F	BOLTS		12
B	CROSS ARM HANGERS		2	G	NUTS		12
C	CROSSBRACE		1	H	WASHERS		28
D	4" SWIVEL CASTERS		2	I	SPRING WASHER		4
E	4" SWIVEL CASTERS WITH BRAKE		2	J	HAT NUTS		4



STEP 1 USE PART **D** AND **E** THROUGH PART **A**, PUT PART **H**, **I** AND **J** ON BOTH PART **D** AND **E**, THEN TIGHTEN PART **J** TO PART **D** AND **E**.



STEP 2 USE PART **F**, **G** AND **H** TO ASSEMBLE AND TIGHTEN PART **C**, **B** AND **A**