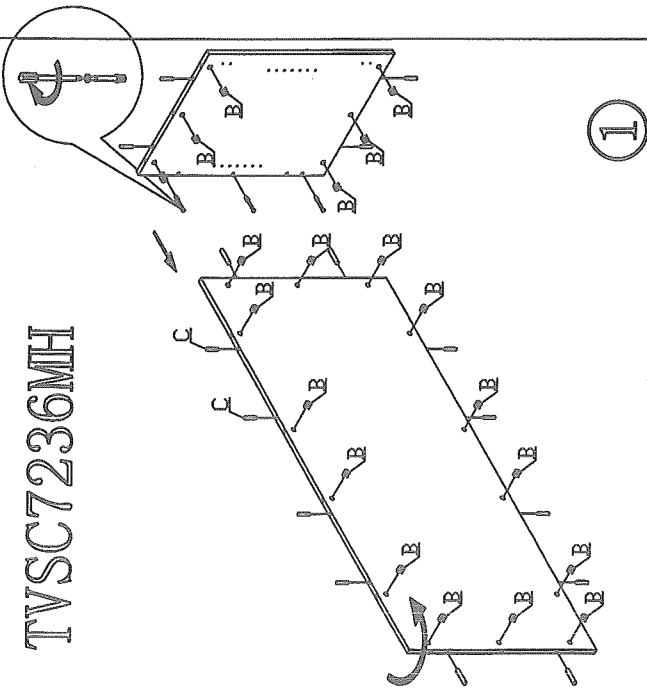
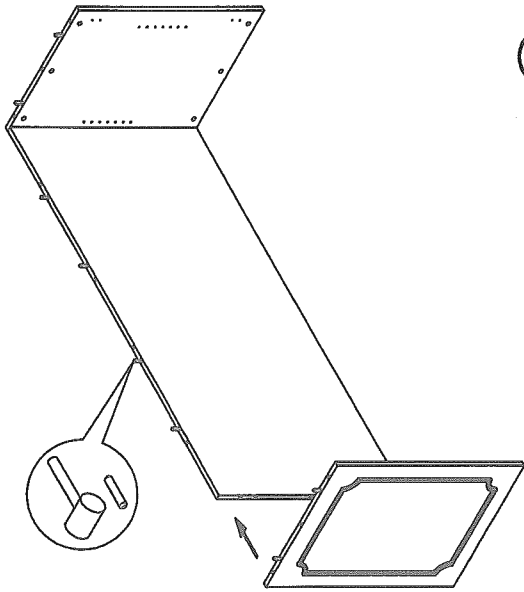


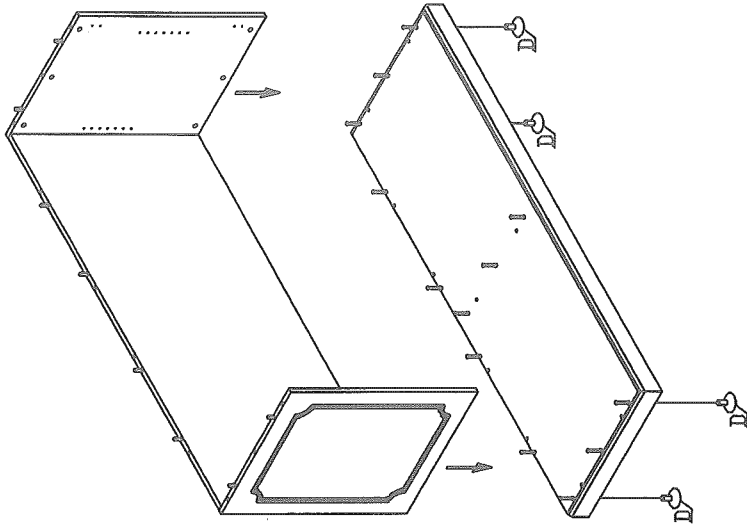
TVSC7236MH



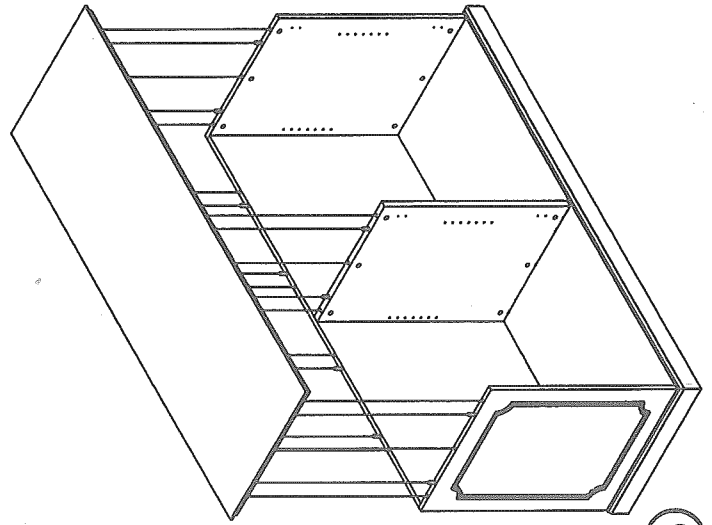
1



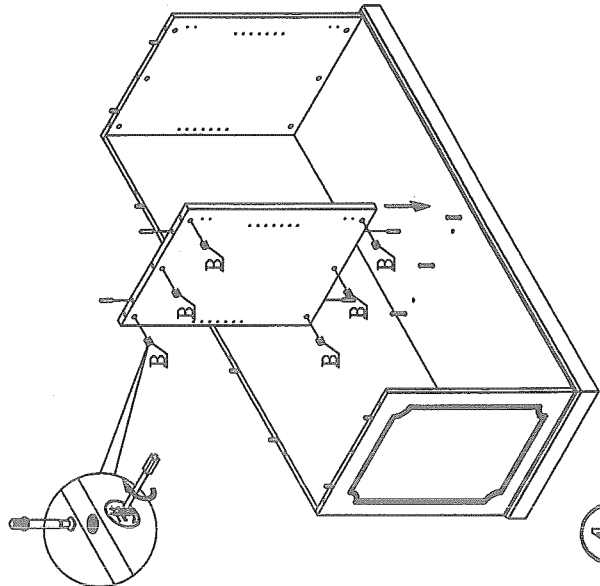
2



3



5

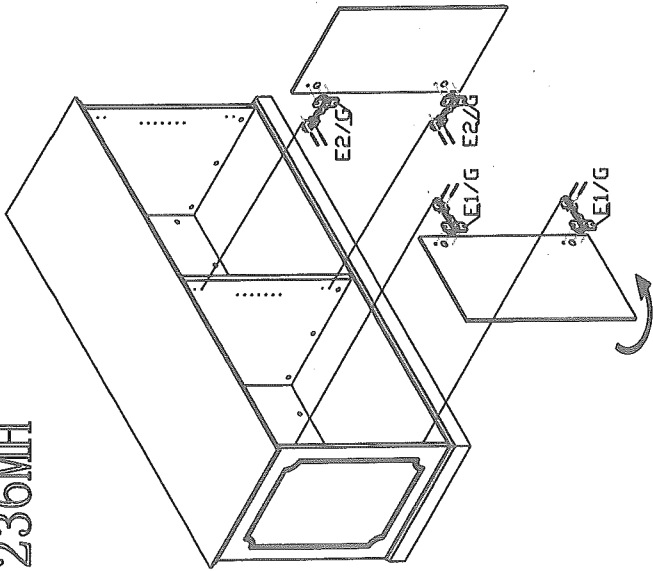


4

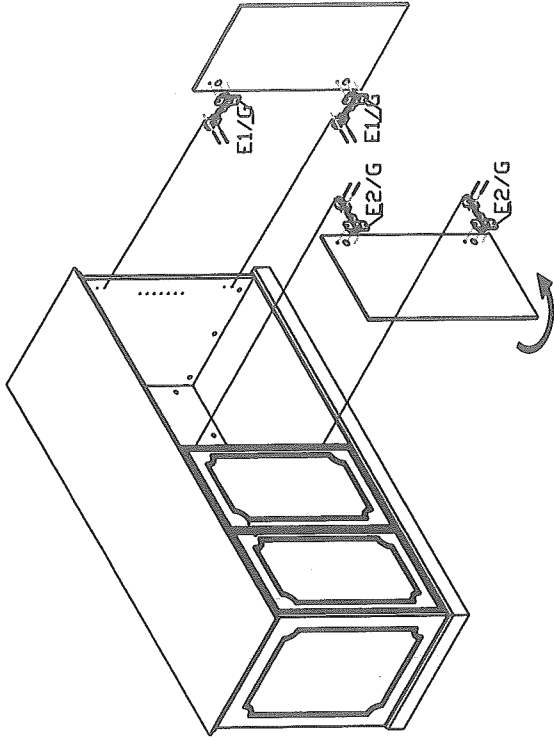
REGENCY
YOUR COMPLETE OFFICE SOLUTION

Picture	Item	Quantity	A	B	C	D	E1	E2	F	G	H
	A	32									
	B	32									
	C	24									
	D	4									
	E1	4									
	E2	4									
	F	8									
	G	32									
	H	4									

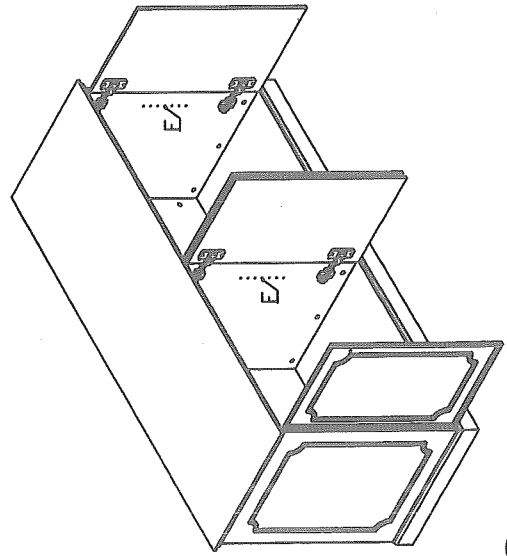
TVSC7236MH



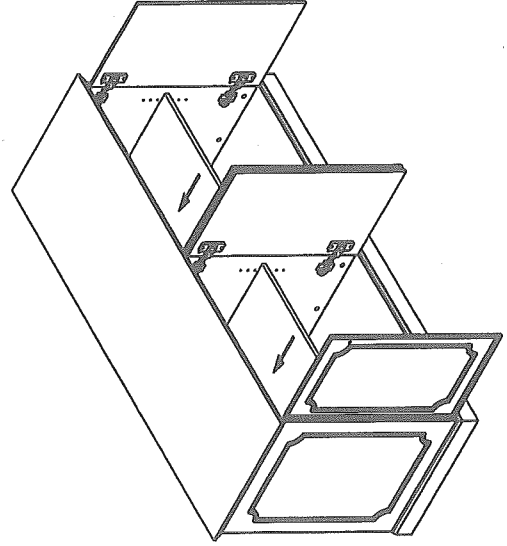
6



7



8



9

