

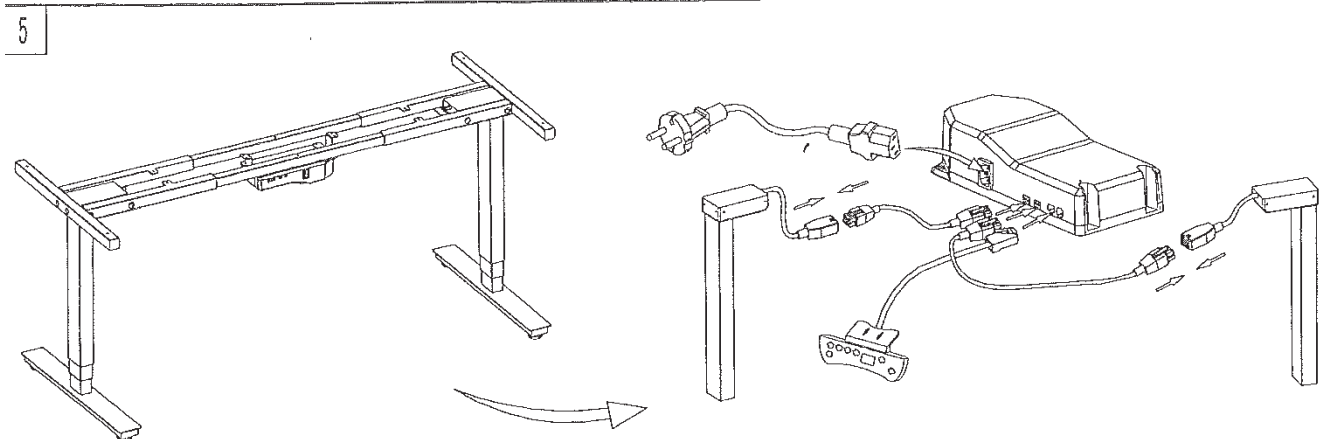
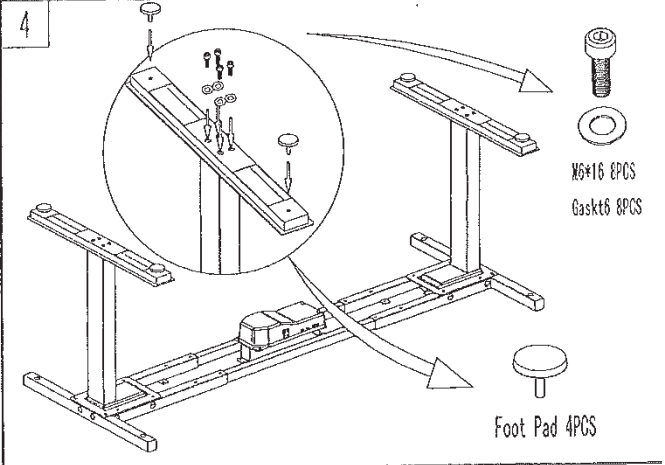
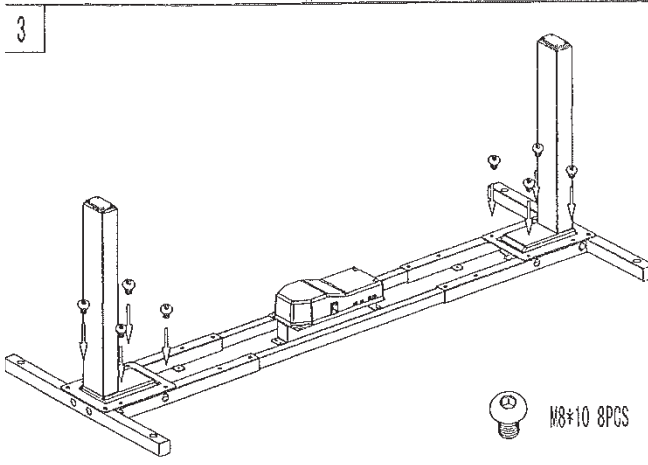
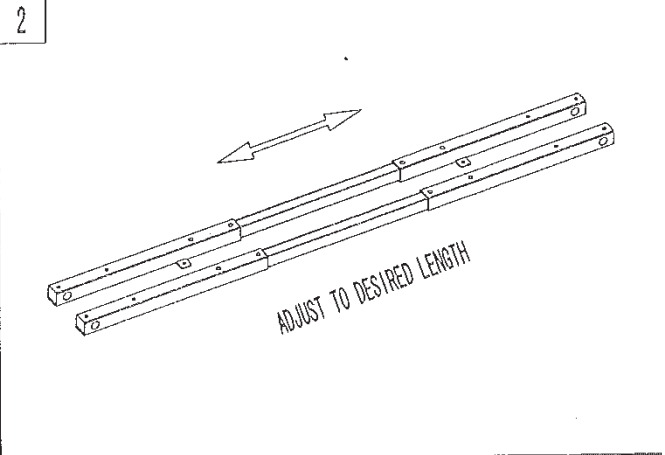
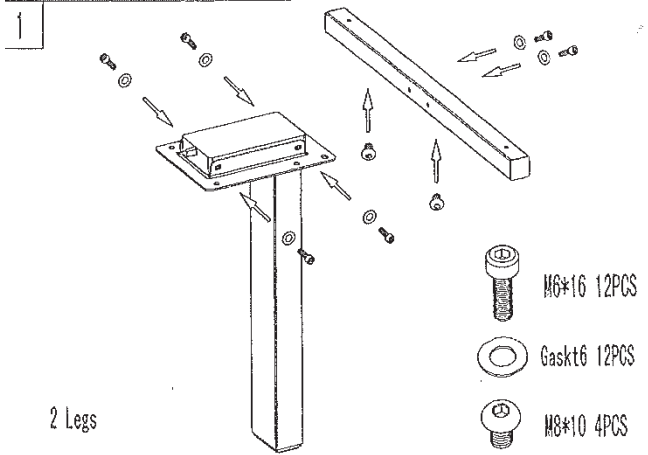
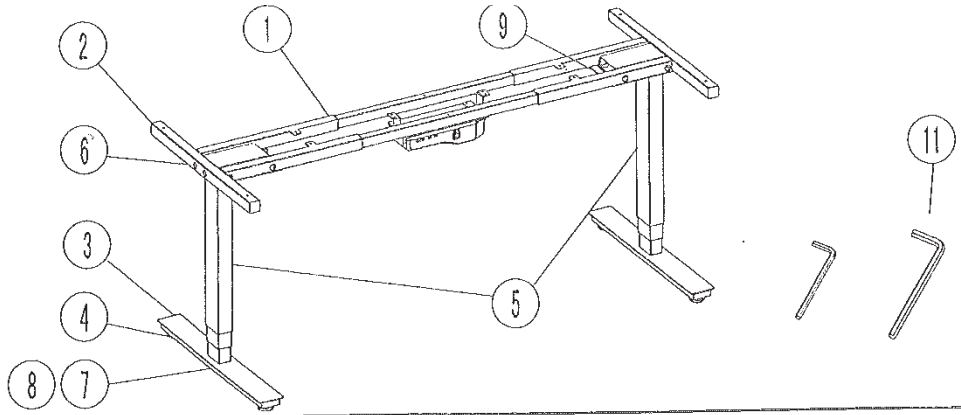
REGENCY

Adjustable Height Power Desk • MADET2540 • INSTRUCTIONS

Organize your parts and hardware. You will need a hex key for installation.

Parts and Tools list

No.	Component Name	Qty
1	Support Beam	2
2	Bracket	2
3	Foot Margin	2
4	Foot Pad	4
5	Lifting System	1
6	M3*10	12
7	M9*16	20
8	Gasket 6	20
9	Fixed Plate	2
10	3mm Hex Allen	1
11	5mm Hex Allen	1



Any problems or questions call Regency Office Furniture at 1-866-816-9822



REGENCY

MADET2540

Power Desk Manual



Zero-set:

Please follow these steps for proper initialization.

1. Ensure that all cables are securely fastened away from moving parts.
2. Activate the zero-setting mode, press and hold the DOWN ARROW button for five seconds. Once initiated, continue holding the DOWN ARROW button until both legs are in the lowest position (motor stops).
3. Now the Table is “zero-set” and ready to use.

Preset height instructions:

The Power Desk allows four (1-4) height presets.

Begin by using the UP/DOWN ARROW buttons to raise and lower the table to a desired height.

1. Once satisfied, press the “S” button.
2. Now press a desired number (1-4) preset. The height is now set.

Codes:

rSt - Reset

Requires the table to be “zero-set” using the steps mentioned above.

ER1 or ER2 - Error

When displayed, please follow the steps below:

1. Please check that all cables are connected properly. Consult the Assembly instructions (separate) for proper connectivity.
2. Unplug the table from its power source to reset the memory.
3. Now “zero-set” the table using the steps mentioned above.

Remarks:

Continuous operation must not exceed two minutes to avoid motor from overheating or “timing-out”. If the motor does time-out, please unplug and let motor cool for a minimum of two minutes.

**If you have any other questions or concerns about your Power Desk,
please contact Regency Customer Service at 866-816-9822. Thank you for your purchase!**