

REGENCY

Privacy Divider Installation • INSTRUCTIONS

Organize your parts and hardware. You will need a hex key for installation.



Parts :

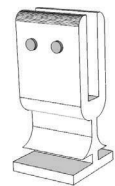
A: Privacy Divider



Quantity: 1

Hardware :

B: Mounting Bracket



Quantity: 3

IMPORTANT NOTICE:

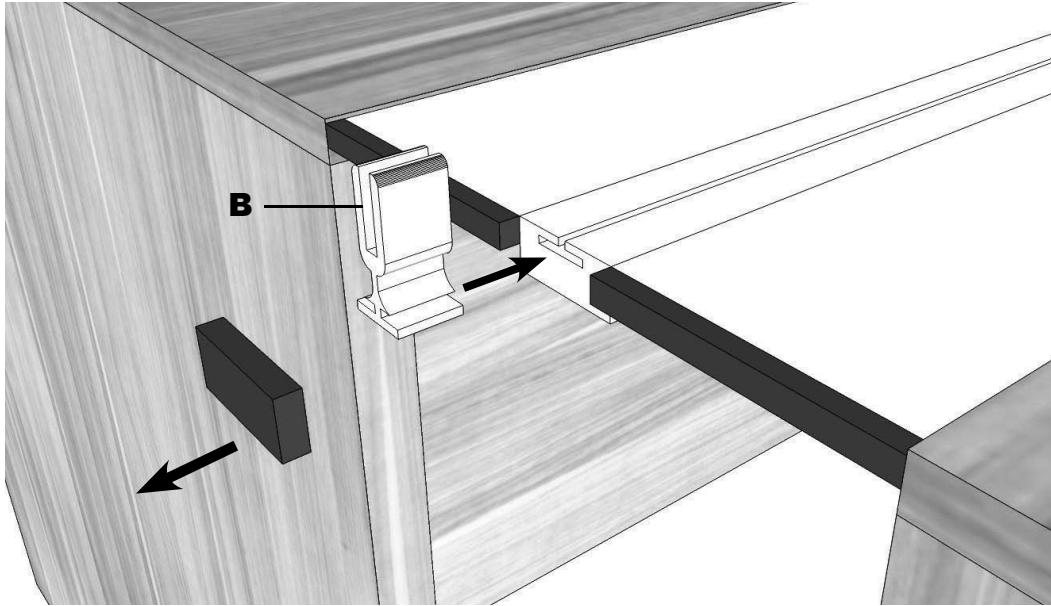
Place all wooden parts on a clean and smooth surface such as a rug or carpet to avoid the parts from being scratched.
Check to be sure that you have all parts and hardware.
Remove all wrapping materials, including staples & packing straps before you start to assemble.
Keep all hardware parts out of reach of children.

REGENCY

Privacy Divider Installation • INSTRUCTIONS

Organize your parts and hardware. You will need a hex key for installation.

STEP 1 : Remove plastic cap from Trough. Then, slide 3 **Mounting Brackets(B)** into track on the Trough.
NOTE: Space the Mounting Brackets evenly along the Trough.



STEP 2 : Place **Privacy Divider(A)** into **Mounting Brackets(B)**. Fasten Privacy Divider in place by tightening Screws on Mounting Brackets (Figure 1).

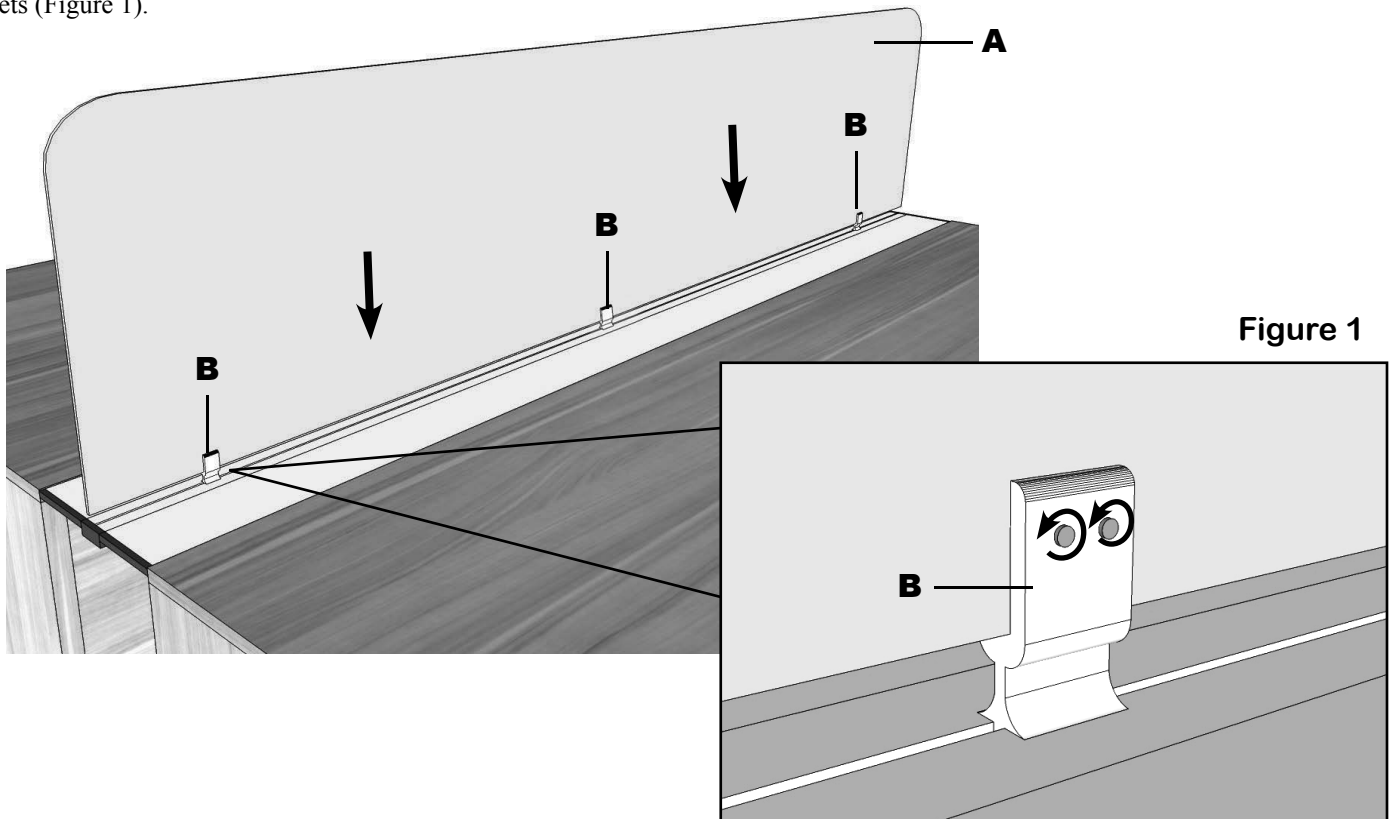


Figure 1