

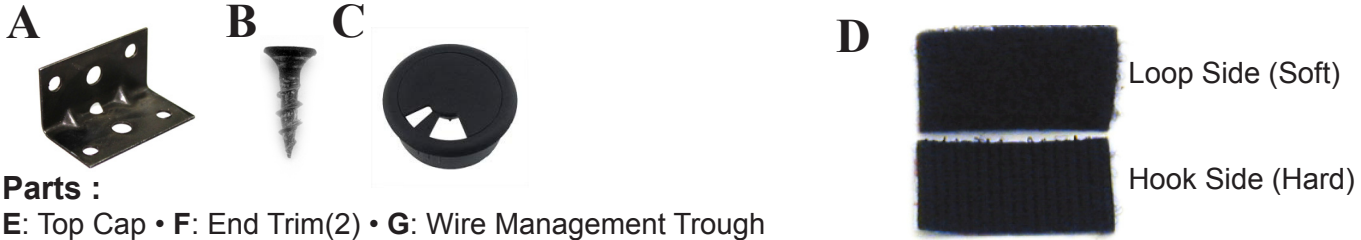
ESET-ESTC-INSTRUCTIONS

You will need 2 person(s) for this assembly.

You will need a Drill with a Phillips head Screw Tip, Tape Measure and a Level.

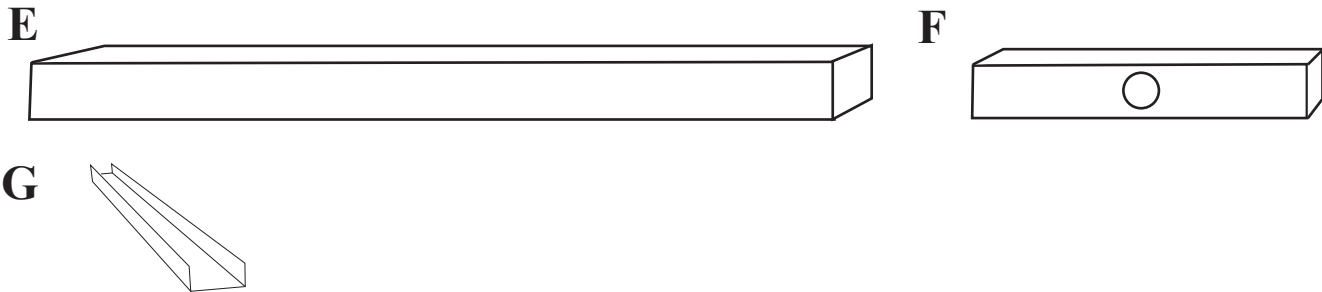
Hardware : YOUR HARDWARE WILL BE IN VARIABLE AMOUNTS DUES TO THE AMOUNT OF UNITS.

A: Large Corner Bracket • **B:** Wood Screw • **C:** Wire Managing Grommet **D:** Sets of Velcro Strips



Parts :

E: Top Cap • **F:** End Trim(2) • **G:** Wire Management Trough



STEP 1 : Place 3 Large Corner Brackets(A) in the locations below with 3 Wood Screws each. Ensure that you are attaching the corner brackets to the RETURN side of the unit. Orientation of brackets is as Fig.1a shows. Place brackets as per the measurements below. Repeat this step for all units. Once assembly is complete the Brackets act as the support for the Wire Management Trough(G).

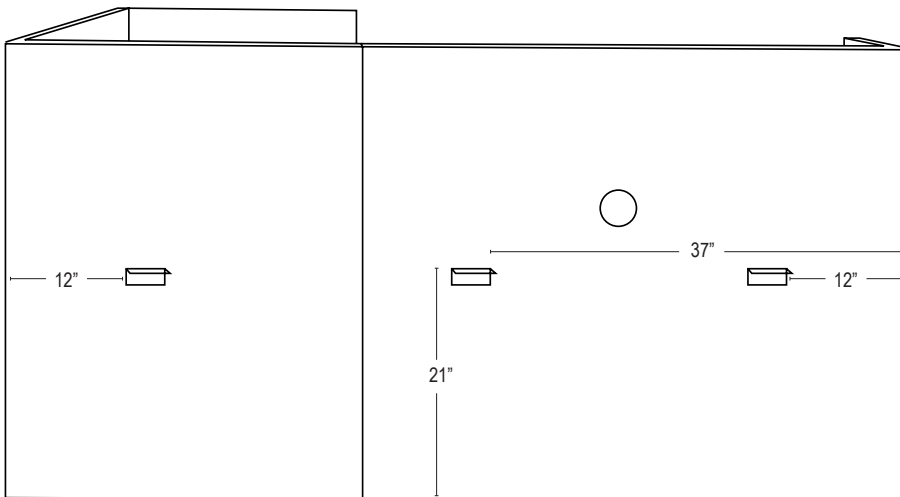
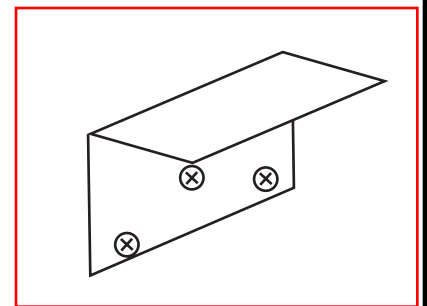


FIG. 1a



IMPORTANT NOTICE:

- Place all wooden parts on a clean and smooth surface such as a rug or carpet to avoid the parts from being scratched.
- Check to be sure that you have all parts and hardware.
- Remove all wrapping materials, including staples & packing straps before you start to assemble.
- Do not tighten all screws/bolts until completely assembled.
- Keep all hardware parts out of reach of children.

ESET-ESTC-INSTRUCTIONS

You will need 2 person(s) for this assembly.

You will need a Drill with a Phillips head Screw Tip, Tape Measure and a Level.

END TRIMS ARE ONLY PLACED AT THE EXPOSED ENDS OF THE WIRE MANAGEMENT CANALS.

STEP 2a : Prepare 4 Large Corner Brackets(A) for this step by connecting 4 sets of Velcro Strips(D) to each other then pulling the white paper of the LOOP side of the Velcro and sticking it to the 4 brackets. Once brackets are prepared you should still have the white paper on the exposed side (HOOK SIDE) of the Velcro strips. Remove the paper and stick the Velcro as shown below onto the End Trim(F) in position "A".

STEP 2b : Use 3 Wood Screws(B) to attach 1 Large Bracket(A) in position "B" as shown below. This Bracket should be oriented as Fig. 1a shows.

STEP 2c : This step is done best with the units separated from one another so the installer has room to work.

Attach the End Caps(F) to the units by having a second person hold the caps so they are flush with the units front side and level with the units top edge and screw the Brackets into place with 3 Wood Screws each Bracket. Once you complete one side then pull the end cap off that side's brackets and attach the other side. Repeat These steps for all End Caps.

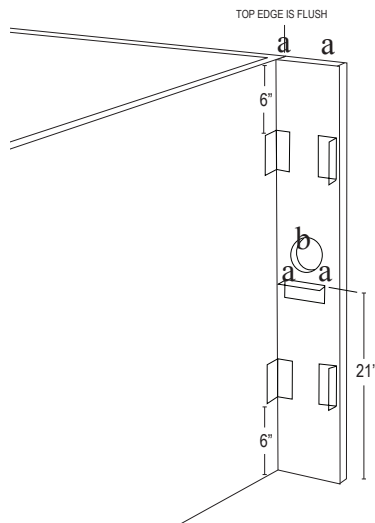
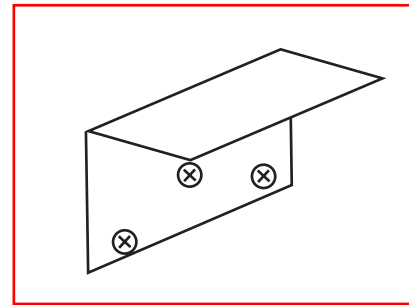


FIG. 1a



STEP 3 :

This step is done best with the units in the position shown below to align Top Caps Correctly. Place the Wire Management Trough in place on top of the Brackets from step 1 before this step.

Connect 3 sets of Velcro strips(D) to each other and stick the LOOP side down strategically and spaced evenly on the top edge of the units. Align top cap so there is no overhang. Apply pressure to the top cap(E) to adhere the exposed side of the Velcro Strips to the Top Cap. Repeat these steps for all Top Caps.

